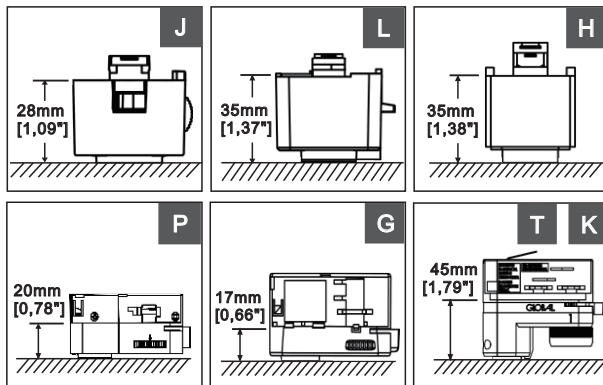
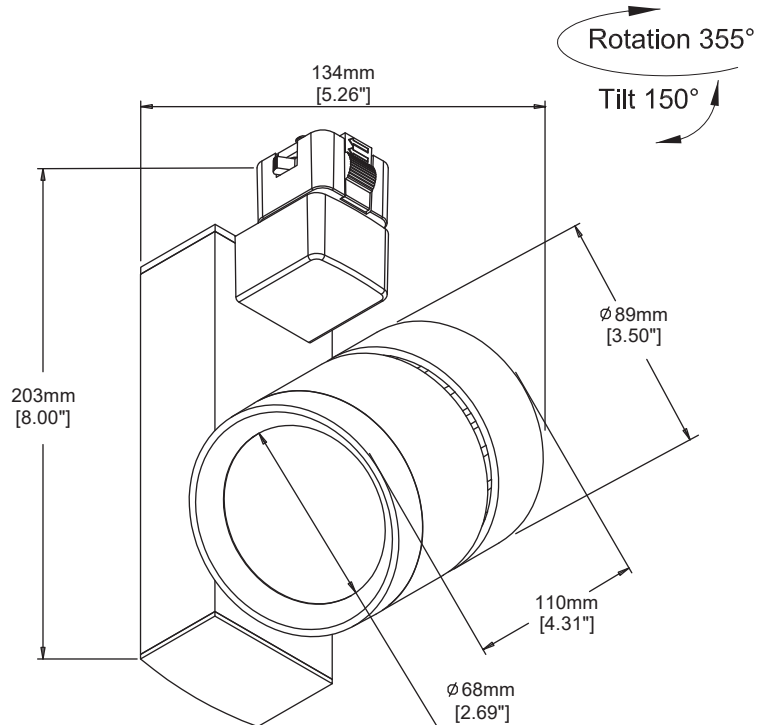


# Specification sheet

REV.4

# Classic VS4 Vertical Spot Maxi (Global / Juno / Halo / Lightolier / Power Gear)

1. Juno is a registered trademark of Juno Lighting
2. Halo is a registered trademark of Cooper Lighting
3. Lightolier is a registered trademark of Philips Lighting



## Description

Performance with uncompromised visual experience packed in a sleek and sharp design defines Classic VS4 track spot. Classic VS4 is capable of delivering up to 3000 lm with efficacy peaks at 82 lm/W. Soft-focus glass lens provides wonderful glare-control. Owing to a twist-lock bezel design, the reflectors and accessory chamber which could hold up to three accessories can be easily accessible in the field. This luminaire offers options for three beam angles, wide range of track adapters, and accessories making it perfect for your commercial and architectural applications.

## Features

<b>LED</b>	Lumiled Luxeon COB 1208
<b>Color temperature</b>	2700K/ 3000K/ 3500K/ 4000K
<b>Optics</b>	Spot 15° / Medium24° / Wide30°
<b>Driver</b>	Integrated class 2 driver, power factor >0.90

## Performance

<b>Delivered output</b>	3000 lm
<b>Power consumption</b>	37W
<b>Color rendering</b>	CRI 80+ / CRI 90+
<b>CBCP(3000lm)</b>	Spot 10025cd/ medium8427cd/ wide6148cd

## Electrical and Control

<b>Input voltage</b>	See the ordering code
<b>Control</b>	TRIAC/ELV dimming 0 -10V(Please consult factory)
<b>Feature</b>	Overload & short circuit protection

## Construction

<b>Material</b>	Die-cast Aluminum
<b>Finishes</b>	Black/ White/ Brushed Aluminum
<b>Lens</b>	Interchangeable reflectors and soft-focus glass lens

## Rating/ Certification/ Warranty

- Dry and damp Locations
- RoHS compliant
- UL classified E465197
- 5 years/ 50,000 hrs warranty

## Ordering Code Information

PRODUCT	TRACK SYSTEM	LUMEN	COLOR TEMPERATURE	FINISH	BEAM ANGLE	INPUT VOLTAGE
<b>CLS VS4</b>	<b>H</b>	<b>30</b>	<b>27</b>	<b>WH</b>	<b>S</b>	<b>1</b>

CLS VS4

H Halo track compatible  
 J Juno track compatible  
 L Lightolier track compatible  
 G Global-3 circuit, GA69  
 K Global HTEK HTEK100  
 P Power Gear- 3 wire, 3 circuit  
 T Global TEK TEK100

30 3000 lm

27 (2700K)  
 30 (3000K)  
 35 (3500K)  
 40 (4000K)

WH ( White)  
 BK ( Black)  
 AL ( Aluminium)

S (Spot) / 15 deg.  
 M (Medium) / 24 deg.  
 W (Wide) / 30 deg.

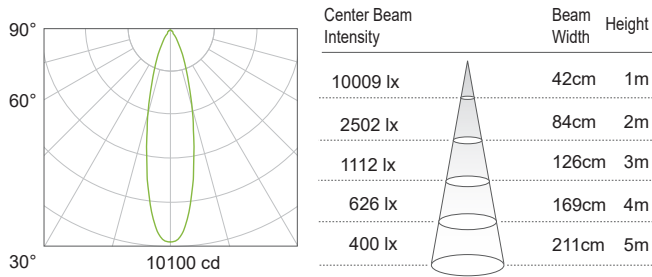
1 (120V)  
 2 (120-240V)  
 3 (120-277V)  
 DIM ON 120V  
 4 (220-240V)

### Photometrics

37W | 80CRI | 3000K

#### Spot 15°

Delivered Ourput : 2990 lm | CBCP : 10025 cd | Beam Angle : 23.6°

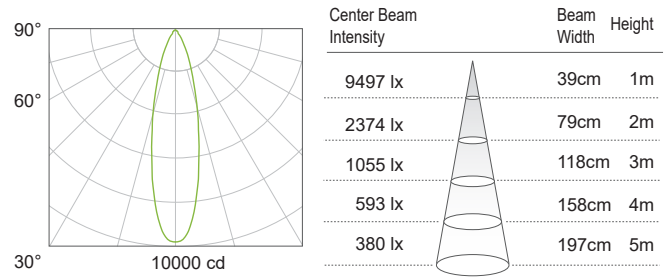


### Photometrics

37W | 90CRI | 3000K

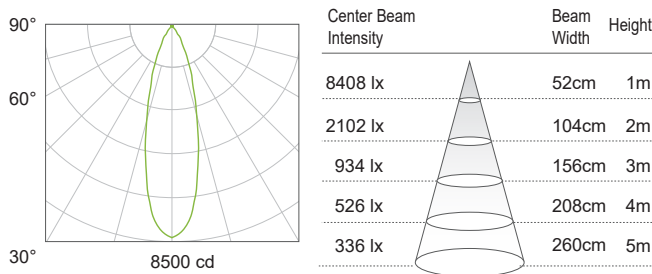
#### Spot 15°

Delivered Ourput : 2529 lm | CBCP : 9556 cd | Beam Angle : 22.3°



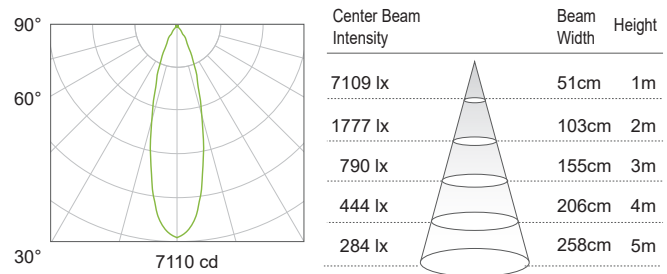
#### Medium 24°

Delivered Ourput : 3054 lm | CBCP : 8427 cd | Beam Angle : 28.6°



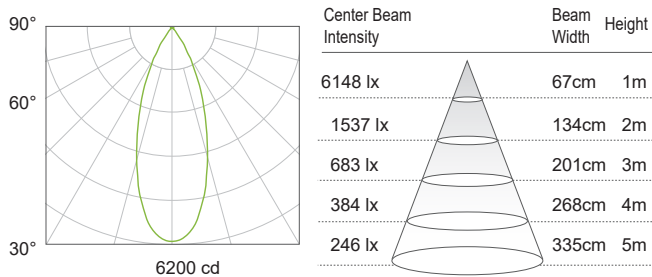
#### Medium 24°

Delivered Ourput : 2553 lm | CBCP : 7109 cd | Beam Angle : 29°



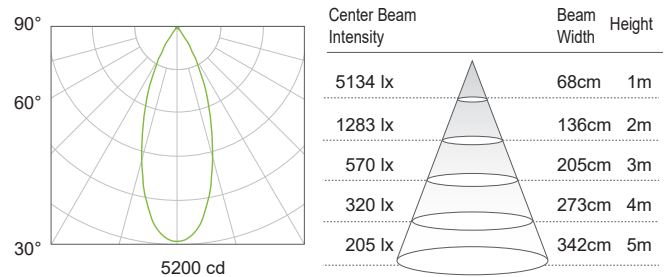
#### Wide 30°

Delivered Ourput : 3024 lm | CBCP : 6148 cd | Beam Angle : 37°



#### Wide 30°

Delivered Ourput : 2551 lm | CBCP : 5153 cd | Beam Angle : 37.6°



## Optional Accessory

---

### Angled Snoot



CLS VS4



SN  
Snoot



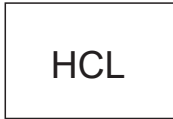
BK Black  
WH White



### Honey Comb Louver



CLS VS4



HCL  
Honey Comb Louver

